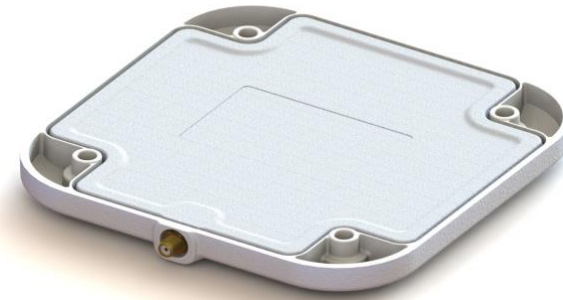


## Compact Outdoor RAIN RFID Antenna

### ABOUT TIMES-7

Pushing the boundaries of RFID technology worldwide Times-7 are leaders in RFID antenna design and manufacture. Our patented award winning UHF antennas meet the needs of virtually any industry application; providing customers with fast accurate tracking of products, assets & people; empowering organizations to transform processes & reduce costs.

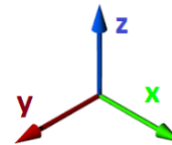
Our SlimLine range of antennas are unique in the RFID industry; offering high levels of performance & durability in an aesthetically superior form. Proven in a diverse & growing range of markets, applications include: retail & customer interaction, conference & people tracking, race timing, baggage handling, and logistic & supply chain asset management.



150 mm / 5.9 in. square footprint

IP68 rating for permanent outdoor use  
& industrial applications

Aesthetically appealing design



*Compact Outdoor antenna (Slimline A5020)*

Equipped with the familiar and industry leading Times-7 ultra-low profile, the A5020 offers a compact footprint of only 150 mm / 5.9 inch square in a very smart-looking design.

With a 1.5 ft. wider read range than most other antennas of similar size in the market, the circularly polarized Compact Outdoor antenna (Slimline A5020) creates a new benchmark for multi-purpose UHF RFID antennas.

IP68 rated and built to Times-7's high standard for quality and robustness, the Compact Outdoor antenna (Slimline A5020) can be used for permanent outdoor applications.

Its pleasing aesthetics and timeless design blends beautifully with most interiors, which makes the Compact Outdoor antenna (Slimline A5020) very suitable for customer facing environments.

## Compact Outdoor RAIN RFID Antenna

### Specifications

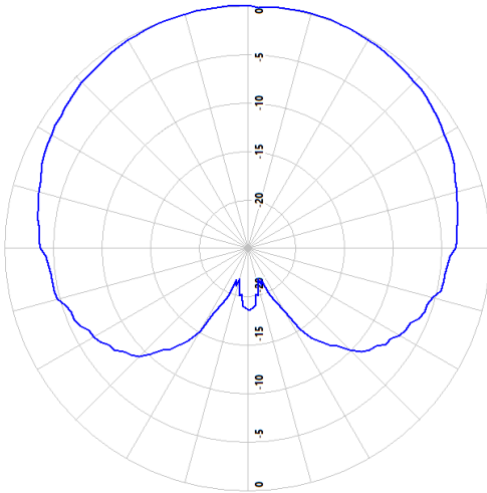
#### **Physical / Environmental Specifications**

Dimensions (L x W x D):	150 mm x 150 mm x 14 mm 5.9 " x 5.9 " x 0.55 "
Weight:	0.25 kg / 0.55 lbs
Radome Material:	UV-Resistant ABS
Environmental Rating:	IP68
Operating / Storage Temperature:	-40° to +65°C -40° to +149°F
Mounting:	Flush or VESA mount (mounting info on page 3)
Connector type / position:	SMA female side connector

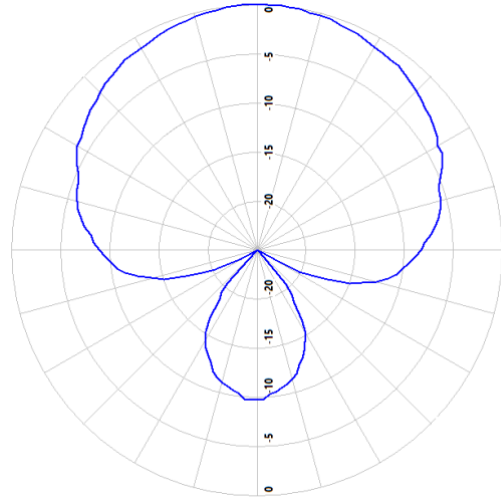
#### **Electrical Specifications**

Frequency Range:	865-868 MHz / 902-928 MHz
Polarization:	RHCP (Right Hand Circular Polarized)
Far-field Gain:	5.5 dBiC typical
Far-field 3dB beamwidth:	115° in both planes
VSWR:	1.4 typical
Front to back:	-10 dB
Axial Ratio:	2 dB typical
Nominal Impedance:	50 Ω
Anti-static protection:	DC Grounded
Antenna Detection	10K Ω resistance
Maximum Input Power:	3 W

*E-field Radiation Pattern*



XZ-plane



YZ-plane

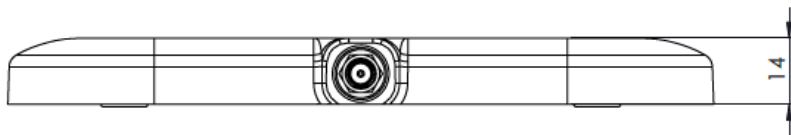
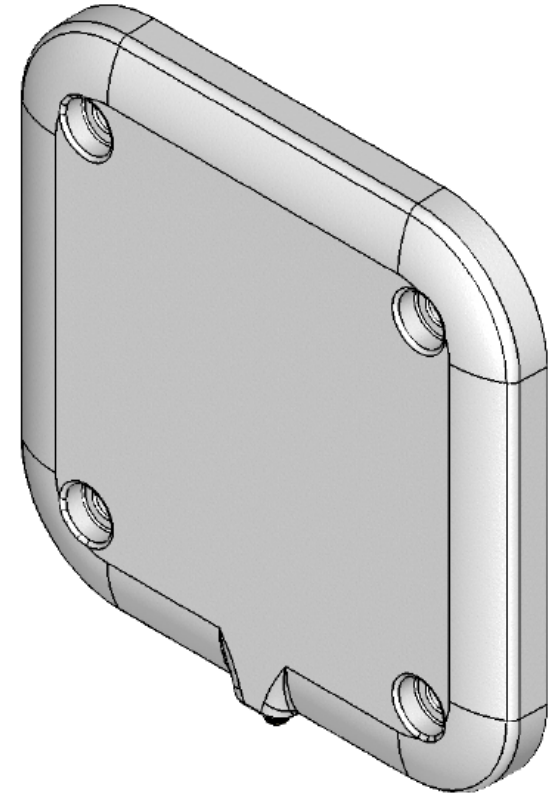
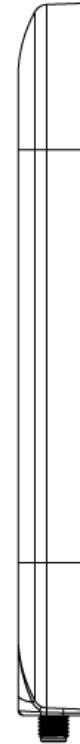
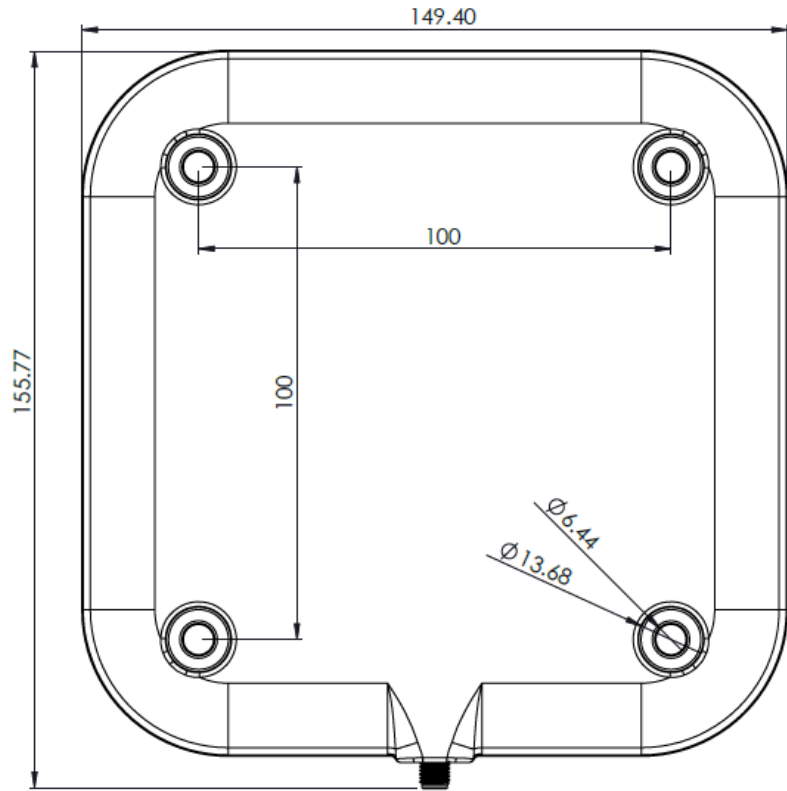
**Compact Outdoor antenna (Slimline A5020) Mounting Information**

The A5020 is designed to support either flush or VESA mount. The flush mounting holes are VESA spaced and can accommodate M6 and 1/4" type bolts and M4 screws.



The mounting holes of the A5020 support VESA spaced mounting brackets as shown in the picture. For more information on the Mounting Bracket in the picture, please click [here](#).





UNLESS OTHERWISE SPECIFIED:

DIMENSIONS ARE IN mm  
TOLERANCES:  
FRACTIONAL ±  
ANGULAR: MACH ± BEND ±  
TWO PLACE DECIMAL ±  
THREE PLACE DECIMAL ±

INTERPRET GEOMETRIC  
TOLERANCING PER:

MATERIAL:

FINISH:

DO NOT SCALE DRAWING

A5020

SIZE DWG. NO.

**A3**

REV

**B**

SCALE: 1:1 Robby Lopez

WEIGHT:

SHEET 1 OF 1

## Applications

### Kiosks and Point of Sale

The A5020 antenna's RF radiation can be confined in a zone while operating at low power. This is practically achievable due to its low gain nature. The antenna is best suited for kiosks and POS applications where a confined read zone is a key requirement. The antenna is aesthetically appealing and fits into every POS environment.



### Waste Management

The A5020 is IP68 rated, meaning it is suitable for permanent outdoor installations. The 'all-plastic'-housing prevents the antenna from corroding. The antenna is moderately impact resistant and can be water blasted. The  $\sim 100^\circ$  beam-width of the A5020 antenna makes wheelie bin detection easy and straight-forward. The antenna can be cleaned with cleaning agents and it would not be adversely affected. The physical size of the antenna is small and thus installation in waste management trucks is hassle free.



### Retail

The A5020 can easily be deployed in space constrained environments such as retail. With its superb aesthetics and compact design, the A5020 antenna blends well into the retail back drop.



## Medical & Pharmaceutical

The A5020 can operate at low-temperature extremes. High-value pharmaceutical assets can be tracked in fridges and freezers using the A5020 antenna. The slim design maximizes the usable space inside of a refrigerator. The antenna can handle general purpose cleaning agents and is water resistant. The white colored A5020 antenna is suitable for hospitals, medical laboratories, research industries and pharma labs.



## OUR GLOBAL NETWORK

Constantly increasing market reach and influence in the global RFID industry, Times-7's international support spans The Americas, Europe, and Asia Pacific regions through our distributor, authorized reseller and integrated solutions provider network.

The technical data contained in this publication is not a guarantee for which Times-7 Research Ltd assumes legal accountability. It is indicative of typical performance, and if required should be relied on for specific applications only after due verification.

All technical data, specifications and other information contained herein are deemed to be the proprietary intellectual property of Times-7 Research Ltd. No reproduction, copy or use thereof may be made without the express written consent of Times-7 Research Ltd.

Times-7, and the stylized T-7 Antennas logo are trademarks or registered trademarks of Times-7 Research Ltd. All other trademarks are the property of their respective owners. © 2018 Times-7 Research Ltd. All rights reserved. Specifications are subject to change without notice. Impinj is a registered trademark of Impinj, Inc.